

Tone Remote Deskset

ITR2000A



Features

- **Parallel Status Updating**
- **Programmable 4-Frequency Control**
- **Line Operated Transmit Light (LOTL)**
- **Multiple Parallel Deskset Support**
- **Parallel Transmit Audio**
- **Selectable Parallel Transmit Audio Mute**
- **Monitor**
- **Intercom**
- **Programmable Voice Delay**
- **2 or 4-Wire**
- **Full-Duplex Capability**
- **Adjustable Receive Input Sensitivity and Transmit Output Level**
- **External Connection for Accessory Microphone**
- **Built-in Microphone and Speaker**
- **PC Programmable**



Applications

- **Police, Fire, Ambulance**
- **Utilities, Taxis, Airlines**
- **Forestry, Parks, Recreation**
- **Industries, Municipalities, Construction**
- **Security and Public Safety**

The **ITR2000A Tone Remote Deskset** is an excellent tool for maximizing the flexibility and effectiveness of radio systems. Used with an ITA2000A GAI-Tronics tone remote adapter, the ITR2000A provides numerous options for remote control of conventional base station radios. Control point distances are limited only by telephone-line capabilities, and the number of desksets that can be set up in parallel is limited only by radio system design.

The deskset itself is like no other in the industry. Parallel Status Updating, 4-Frequency Control, Monitor, Intercom, Line Operated Transmit Light, Parallel Transmit Mute, Programmable Voice Delay and Full-Duplex Capability come as standard features with every ITR2000A.

Each unit also includes a plug-in power supply, handset, built-in microphone and speaker. Front mounted controls and adjustments allow for easy installation and operation.

Specifications for ITR2000A

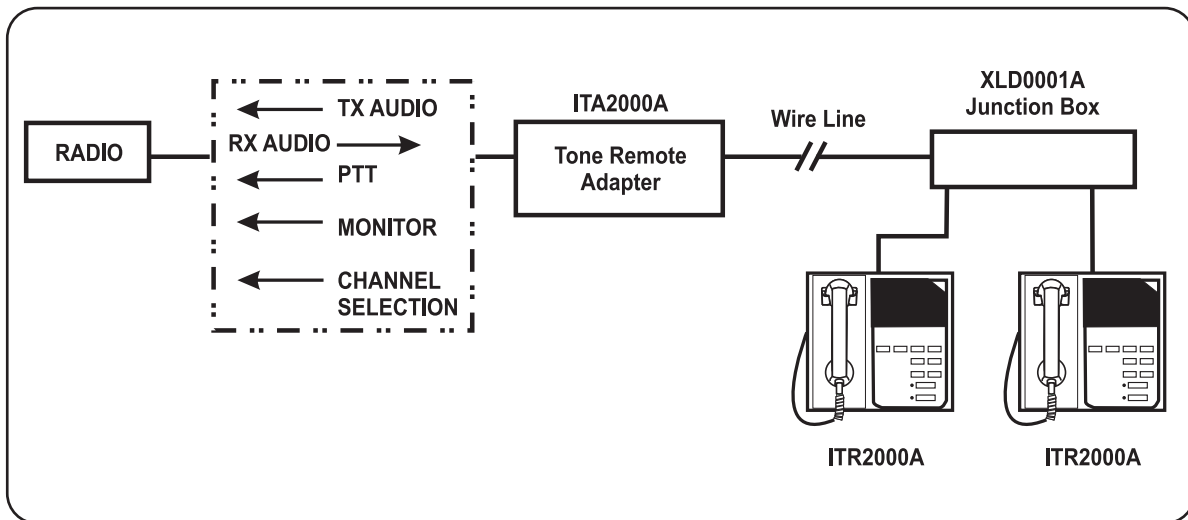
ColorBlack
 Size7.6" X x 8.9" L x 4.7" H
 Weight2.4 lbs.
 Temperature-35° to +70°C
 Humidity95% at 50°C (non-condensing)
 Line Impedance600 ohms nominal
 Power Input10.5 - 16 VDC; 0.5 A maximum from Class 2 listed AC adapter
 Nominal Input Level-10 dBm
 Range-25 to 0 dBm into 560 ohms
 Nominal Output Gain-10 dBm
 Range-15 to + 5 dBm into 560 ohms
 Frequency Response±3 dB at 300-3000 Hz (except notch filter)
 Frequency StabilityBetter than ±1.0%
 Hum and NoiseLess than -45 dB below rated outputs
 Audio Output to Speakers1 watt min. with level in compression range
 Audio DistortionLess than 3% THD

Max. Number of RemotesPer System Limitations (10 per junction box recommended)
 Microphone Connections8-pin Modular; Audio accessory port for multiple user devices.
 SafetyClass III SELV-powered equipment. Powered by UL-listed (E104603) and CSA certified (LR67888) ac adapter
 EmissionsUSA: FCC Part 15, Sub. B-Verification Canada: ICES-003
 Line InterfaceUSA: FCC Part 68 Exempt (Category II Tariff #260 service for private/leased line applications) Canada: Designed to meet IC CS03-8

Control Functions

Guard ToneProgrammable (includes 2175 Hz)
F1 thru F4 ToneEach function can be programmed from 550 - 1950 Hz (100 Hz increments) CARD Suite Software Required
MonitorProgrammable (includes 2050 Hz)

System Diagram



Accessories and Options

ITA2000A Tone Remote Adapter
 XAC4000B Programming Bundle Flash Drive
 XAC0004A Programming Cable
 40419-008 Replacement AC Wall Transformer
 XLD0001A Junction Box

XAAB002A Audio Accessory Box
 XHS003C / XCC004B Headset and Adapter Cable
 XDM004A Desk Microphone
 XFS002A Dual PTT & Monitor Footswitch
 XDM005A Desktop Gooseneck Microphone

Note: Models XHS003B, XFS002A, and XDM005A Require XAAB002A Audio Accessory Box.

Call Customer Service (1-800-492-1212) For Application Assistance and Pricing. Specifications Subject To Change Without Notice.



Toll Free: 1 (800) 492-1212 Tel: (610) 777-1374
 Fax: (610) 796-5954 www.gai-tronics.com

